

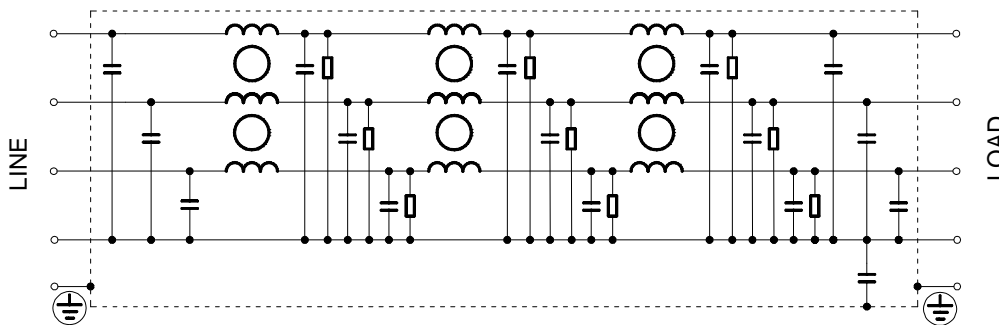
1 Features

- Three stage filter, high performance with excellent insertion losses
- 3-phase 4-wire filter, applicable to high current controlling system
- Customization accepted

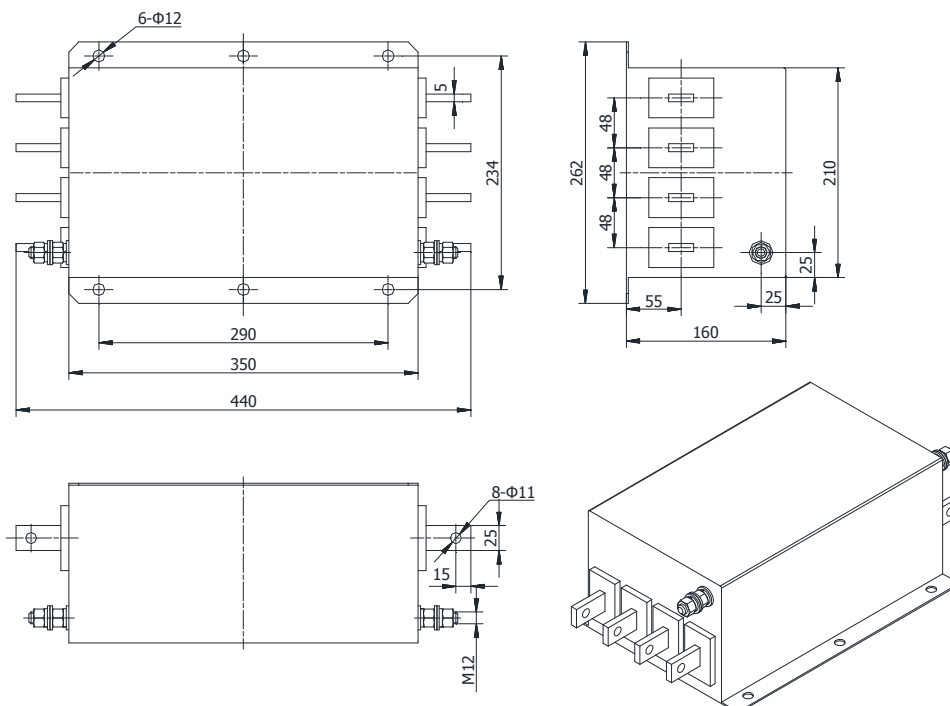
2 Technical Data

Type	Rated Voltage	Rated Current	Hi-Pot Test Voltage	
			Line-Line	Line-Ground
DNF160A-3PH-300A	250/440Vac~50/60Hz	300A	1500VDC,2s	2300VDC
DNF160B-3PH-400A	250/440Vac~50/60Hz	400A	1500VDC,2s	2300VDC
DNF160C-3PH-600A	250/440Vac~50/60Hz	600A	1500VDC,2s	2300VDC

3 Electrical Schematic



4 Dimensions (Unit:mm)



6 Installation Instructions

- 1) Good electrical connection is needed between filter casing and equipment shell.
- 2) Connecting the filter's input and output according to the provision on the label of LINE and LOAD.
- 3) The input wiring and the output wiring should be strictly separated, cannot be bundled together.