

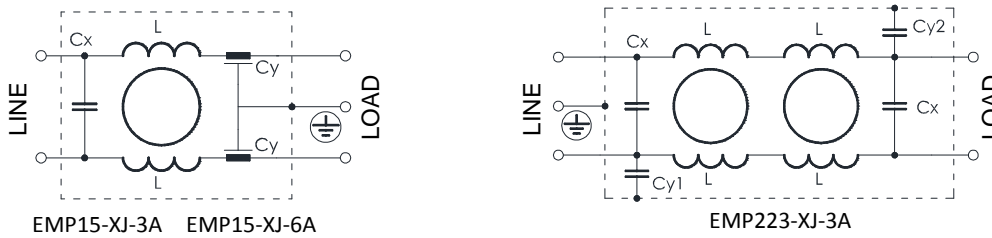
1 Features

- Compact, easy to install
- High reliability, excellent insertion losses
- Customization accepted

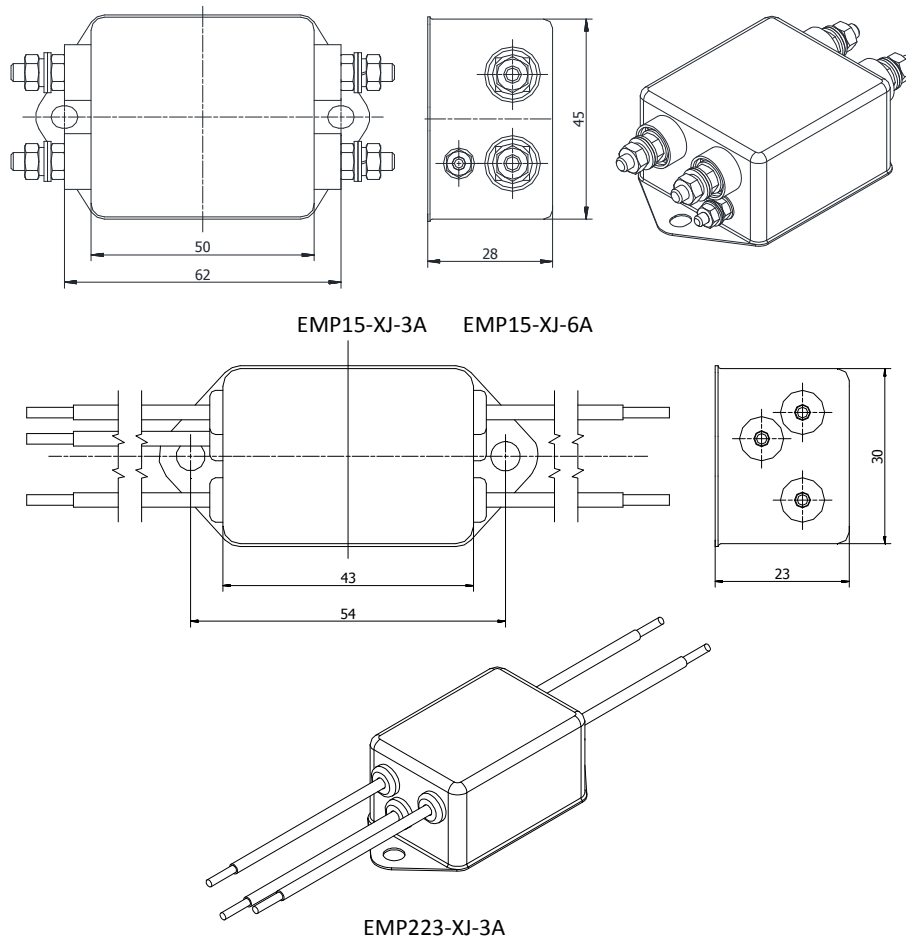
2 Technical Data

Type	Rated Voltage	Rated Current	Hi-Pot Test Voltage		Cx(μF) ± 10%	Cy(nF) ± 20%	L(mH) -30%~+50%	Leakage Current 250V~50Hz
			Line-Line	Line-Ground				
EMP15-XJ-3A	250V/50Hz	3A	1800VDC,5s	2500V/50Hz,5s	0.22	6.8	10	<1.5mA
EMP15-XJ-6A	250V/50Hz	6A	1800VDC,5s	2500V/50Hz,5s	0.22	6.8	7.0	<1.5mA
EMP223-XJ-3A	250V/50Hz	3A	1800VDC,5s	2500V/50Hz,5s	0.047	Cy1=10.0 Cy2=1.0	0.32	<1.2mA

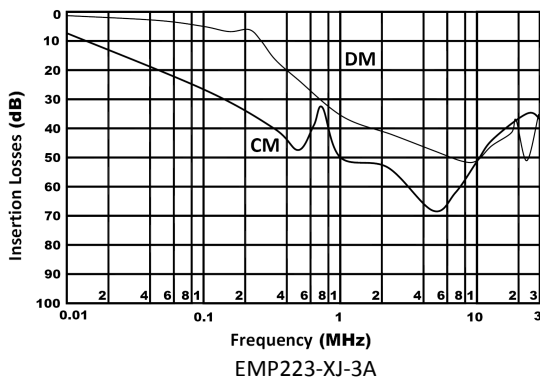
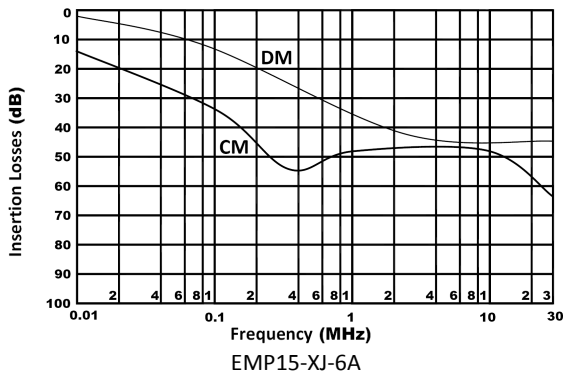
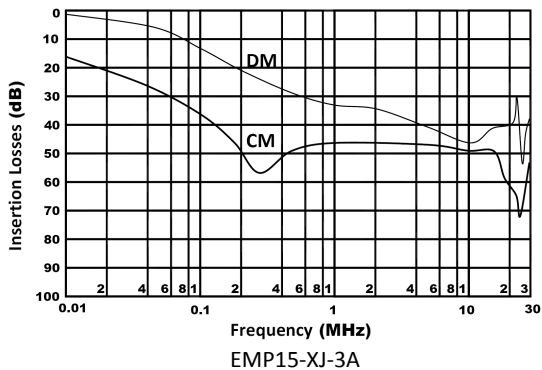
3 Electrical Schematic



4 Dimensions (Unit:mm)



5 Typical Insertion Losses In 50Ω System: (CM-Common Mode DM-Different Mode)



6 Installation Instructions

- 1) Good electrical connection is needed between filter casing and equipment shell.
- 2) Connecting the filter's input and output according to the provision on the label of LINE and LOAD.
- 3) The input wiring and the output wiring should be strictly separated, cannot be bundled together.