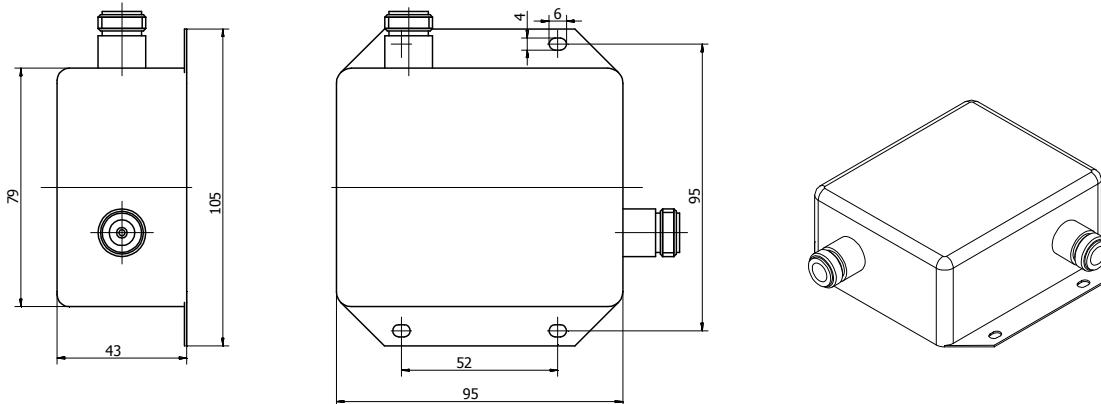


1 Technical Data

- 1 Input and output impedance: 50Ω;
- 2 insertion loss from 0~400Hz is over 60dB;
- 3 Test voltage of port to casing: 1500VDC, 5s;
- 4 Customization accepted

2 Dimensions (Unit:mm)



3 Typical Insertion Losses In 50Ω System:

